



FEBRUARY 1, 2011

BULLETIN

FEC-PMCT-11B

www.ericksonelectric.com

FIRST ENERGY

APPROVED

1200 AMP. TO 2000 AMP.

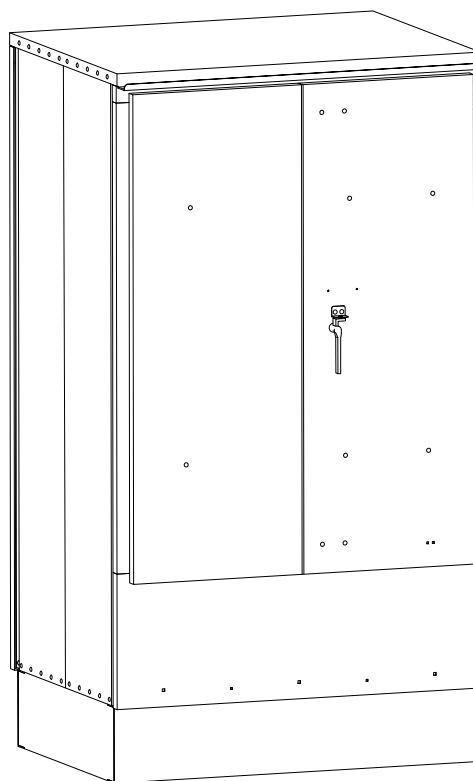
PAD MOUNTED METERING TRANSFORMER CABINETS



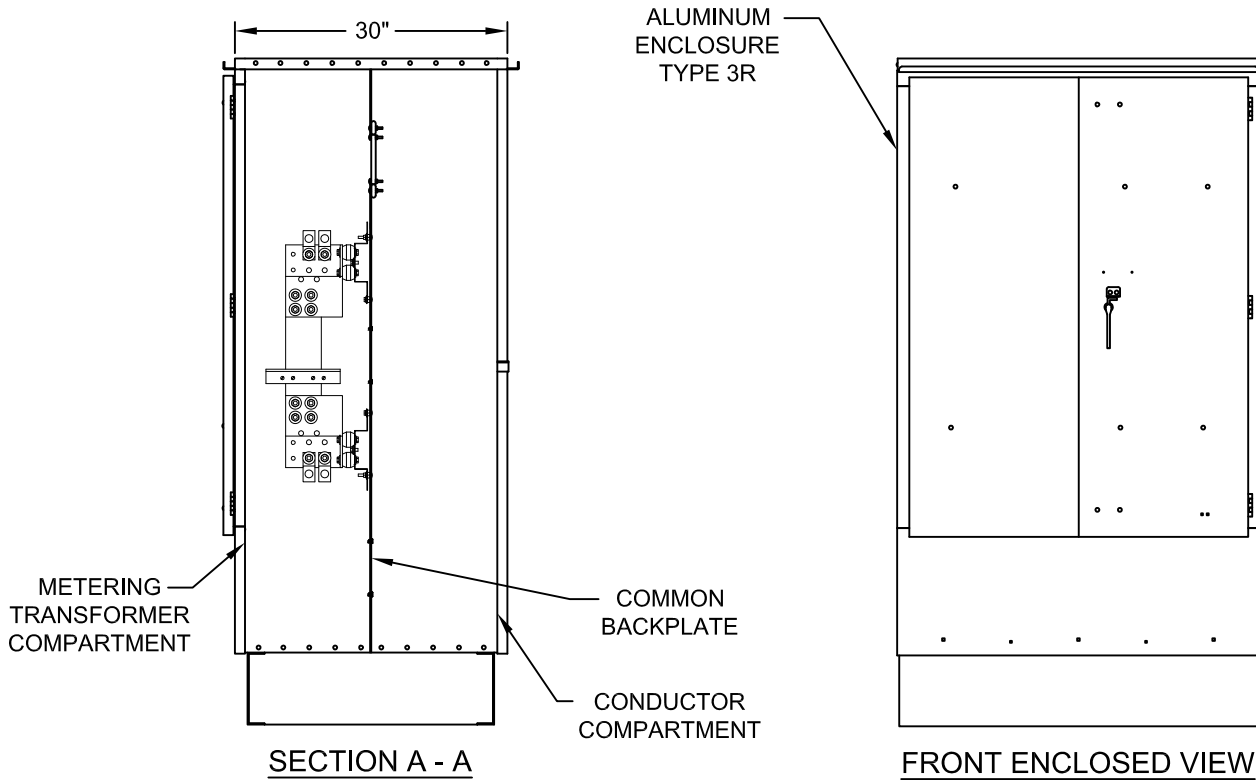
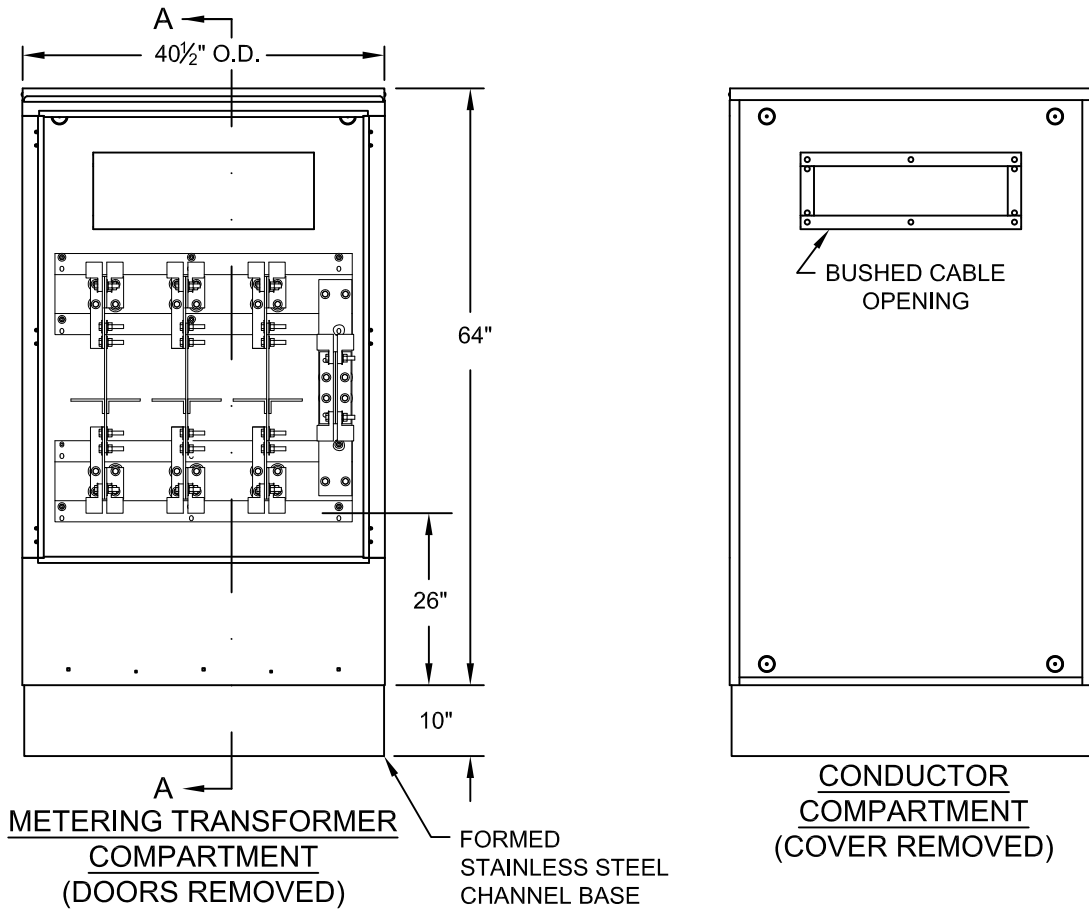
FILE NO. E62784

600 VOLT MAXIMUM

TYPE 3R ENCLOSURE
FOR OUTDOOR USE



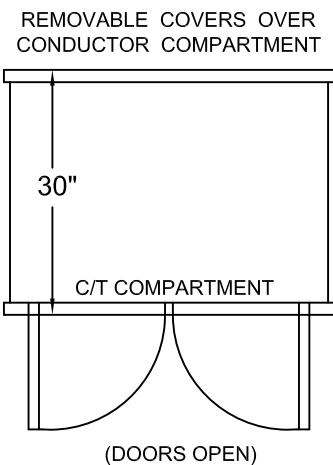
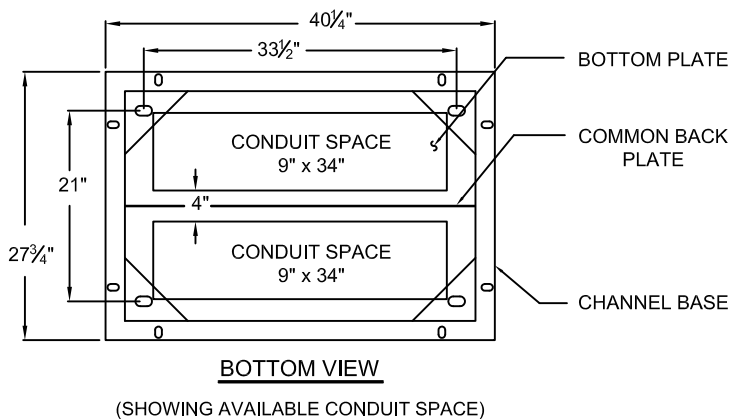
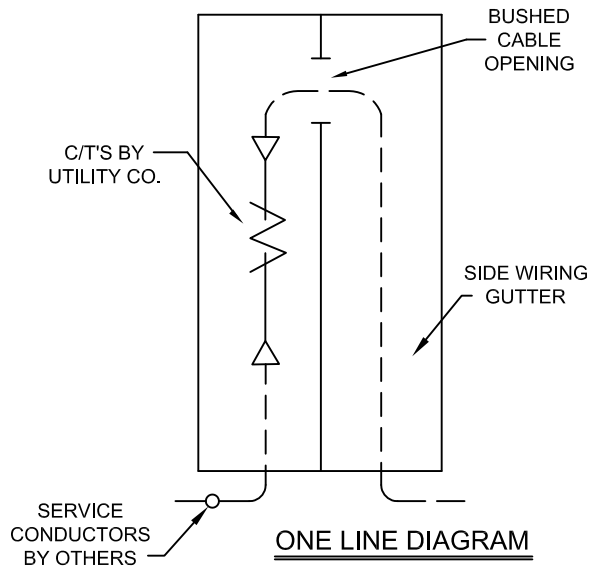
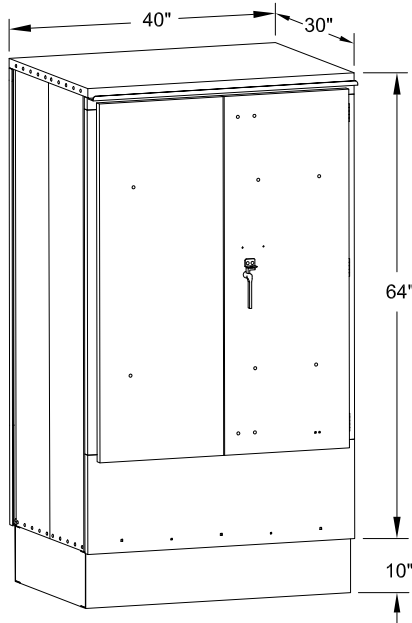
ERICKSON ELECTRICAL EQUIPMENT CO.
475 BONNIE LANE • ELK GROVE VILLAGE, IL 60007
TELEPHONE: (847) 640-7701 / 1-800-952-7225
FAX: (847) 640-0565



ERICKSON ELECTRICAL EQUIPMENT CO.
 475 BONNIE LANE • ELK GROVE VILLAGE, IL 60007
 TELEPHONE: (847) 640-7701 / 1-800-952-7225
 FAX: (847) 640-0565

CATALOG NUMBERS

AMPACITY	3Ø 4W	LUGS PER PHASE 300-800 KCM		UNPROTECTED FAULT CURRENT RATING	ENCLOSURE SIZE			SHIPPING WEIGHTS
		LINE	LOAD		WIDTH	HEIGHT	DEPTH	
1200	PMCT124-FECD	3	3	85,000 Amp	40"	64"	30"	450 LBS.
1600	PMCT164-FECD	4	4	85,000 Amp	40"	64"	30"	470 LBS.
2000	PMCT204-FECD	5	5	85,000 Amp	40"	64"	30"	480 LBS.



REPRESENTED IN
OHIO & PENNSYLVANIA
BY

ROSATI SALES

815 E. TALLMADGE AVE • AKRON, OH 44310
TELEPHONE: (330) 630-2677 FAX: (330) 633-3645

ERICKSON ELECTRICAL EQUIPMENT CO.

475 BONNIE LANE • ELK GROVE VILLAGE, IL 60007
TELEPHONE: (847) 640-7701 / 1-800-952-7225
FAX: (847) 640-0565