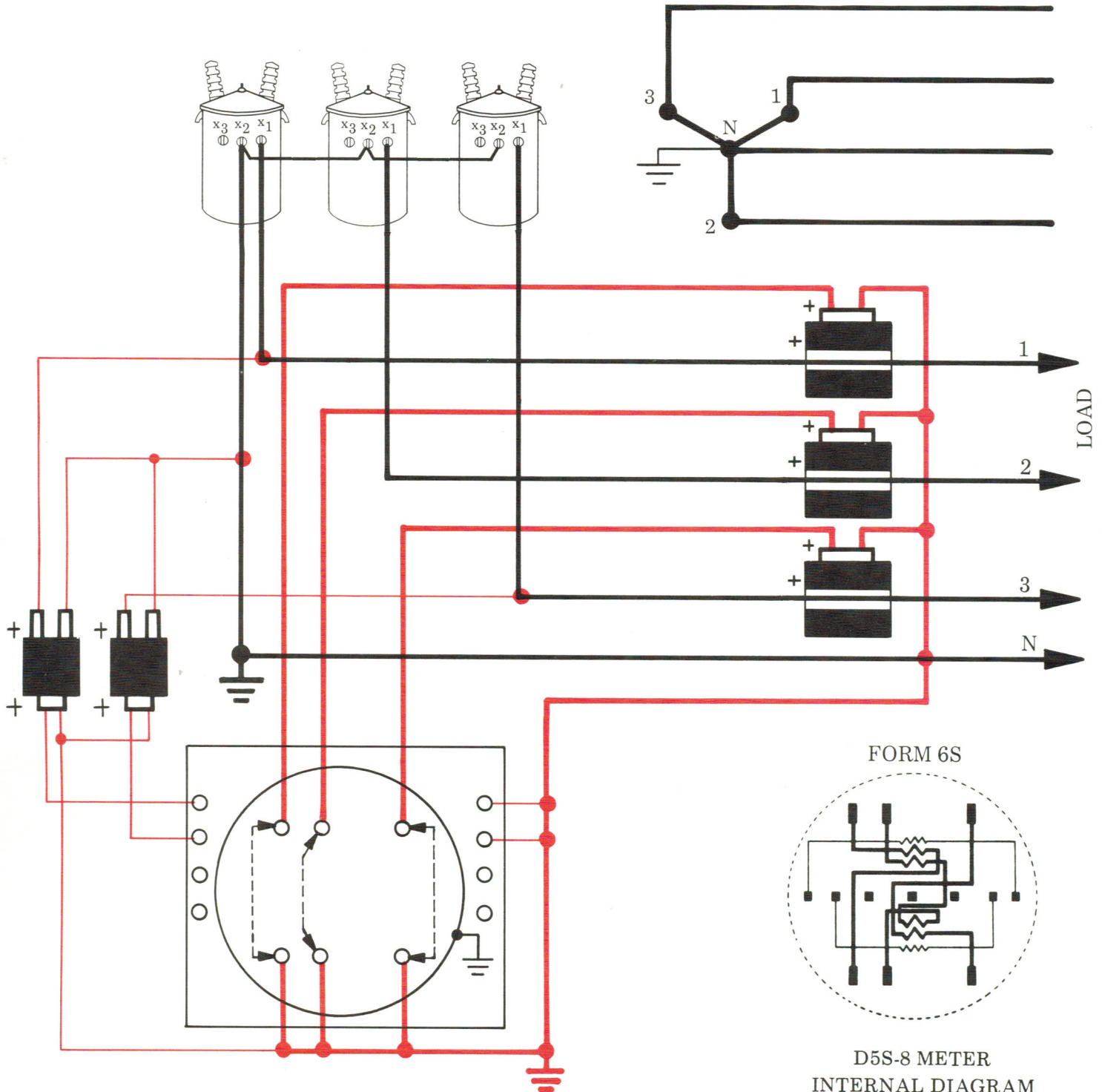


THREE-PHASE, FOUR-WIRE WYE

Measurement of energy on a three-phase, four-wire Wye service with 3 CT's, 2 VT's, and a 2-1/2-stator meter.

conventional method...



13-TERMINAL CIRCUIT CLOSING SOCKET
FRONT VIEW

FORM 6S
D5S-8 METER
INTERNAL DIAGRAM
FRONT VIEW

THE REGISTER MULTIPLIER EQUALS THE PRODUCT OF THE
CT AND VT RATIOS FOR SECONDARY-RATED METERS